



File was found and ready to download!

UPDATED 14 HOURS AGO

Fastest Source: [usenet.nl](https://www.usenet.nl)

Click the **download button** and select one of the found **cloud sources**.

6.4



2865 VIEWS

Download 

 SECURE SCANNED

You need to [log in](#) before you can post comments.



Navigation

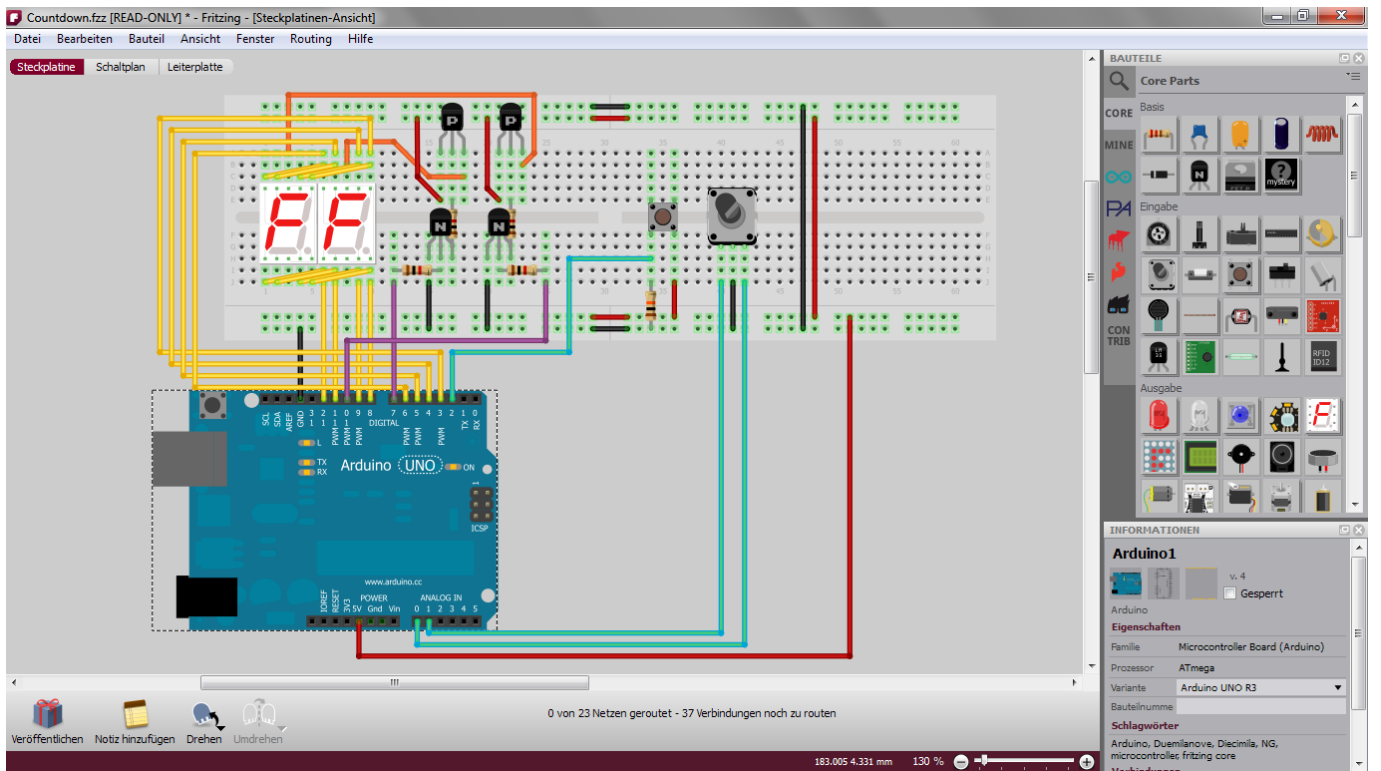


Registration



FAQ

[Fritzing 0.9.4-l](#)



[Fritzing 0.9.4-1](#)



File was found and ready to download!

UPDATED 14 HOUES AGO

Fastest Source: [usenet.nl](#)

Click the **download button** and select one of the found **cloud sources**.

6.4



2865 VIEWS

Download 

 SECURE SCANNED

You need to [log in](#) before you can post comments.



Navigation



Registration



FAQ

---

Fritzing is an free and open source initiative that aims to support designers and artists to to work creatively with interactive electronics. By using .... Is there either a version of fritzing that does not crash every other ... 2016 yet github reflects 0.9.4 and various files dated within last few months.. Can't download Fritzing... Hey there, I hope someone is still alive here. Is it needed to pay to download this application? I can only find the "pay and download" ...

Fritzing 0.9.3b Fritzing 0.9.4 Follow me! follow us ...

## fritzing free download

fritzing free download, fritzing download, fritzing free, fritzing github, fritzing alternative, fritzing, fritzing free download mac, fritzing simulation, fritzing esp32, fritzing nodemcu, fritzing crack

Fritzing 0.9.4 – это программа для создания схем на базе Ардуино с возможностью разводки печатных плат и большой библиотекой .... I do not know how Fritzing in that rpm is configured, so do not know where it is looking for the database. Fritzing 0.9.4 Download The Zip.. Fritzing est un logiciel avancé et complet développé dans le but de fournir aux ingénieurs et aux artistes un moyen fiable de mener leur projets et leurs projets et .... kit-fixups: 295dc73e953e9eae416d1e4ebf077d1f2a81019b. 59510811. fritzing-0.9.4.ebuild 1.98 KB. EditWeb IDE ...

## fritzing

Name: fritzing. Version: 0.9.4. Release: alt1. Summary: Intuitive EDA platform featuring from prototype to product. License: GPLv3, CC-BY-SA- .... O Fritzing é um aplicativo que serve para montar protótipos de circuitos elétricos. Embora o programa seja de fácil utilização (apenas clicar e arrastar), ele exige .... Fritzing is an open-source hardware initiative that makes electronics accessible as a creative material for anyone. We offer a software tool, ...

## fritzing simulation

In May board manufacturer Aisler.net had promised a restart of the development of Fritzing. Since December 1st version 0.9.4 of the circuit .... Fritzing افزار نرم نسخه آخرین براتون سلام Fritzing نسخه آخرین دانلود (Fritzing 0.9.4 دانلود) افزار نرم Fritzing افزار نرم کردیم.. دانلود Fritzing. افزار طراحی مدارات الکترونیکی ا. Fritzing 0.9.3b نام یک نرم افزار قدرتمند و کاربردی در زمینه طراحی و ساخت مدارات الکترونیکی .... fritzing 0.9.4 .software Automation Design Electronic An .depends :electronics-extra .openjdk ,libgit2 .qt-5. Depends (build): boost. Links: Changelog .... Fritzing 0.9.4 Full İndir – Elektronik Tasarım Otomasyon Yazılımı. Fritzing, elektronikçiler, bilgi işlem ve prototipleme ile ilgilenen herkes için bir .... Nach über drei Jahren ist mit der 0.9.4 eine neue Version der Schaltungssoftware Fritzing verfügbar. Für den kostenlosen Download ist jetzt ein .... Free FRITZING 0.9.3b> https://www.filehorse.com/download-fritzing-64/download/ ... Последната верзија на FRITZING 0.9.4 од 1-ви Декември 2019 год. 49c06af632

[download xforce keygen Forge 2009 32 bit patch](#)

[Mtap Grade 9 Reviewer Pdf Downloadl](#)

[Suyetchai Mla Tamil Movie Download](#)

[Puzzle Pirates Bilge Bot Download](#)

[tamil dubbed movies download for The House Next Door](#)

[facebook hack v9.2.3 download](#)

[comocurarunapizzeradealuminio](#)

[the Bal Brahmachari full movie 720p download](#)

[KMSpico 1022FINAL Portable](#)

[Se Cucini Ti Sposo Streaming](#)